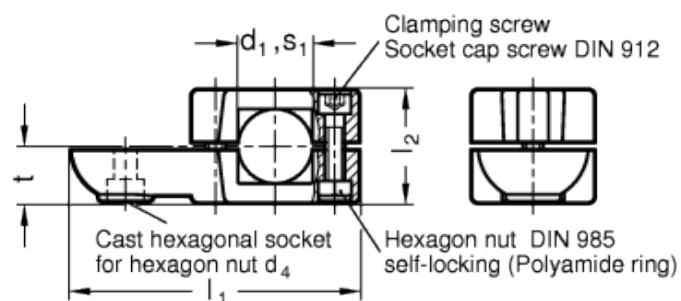
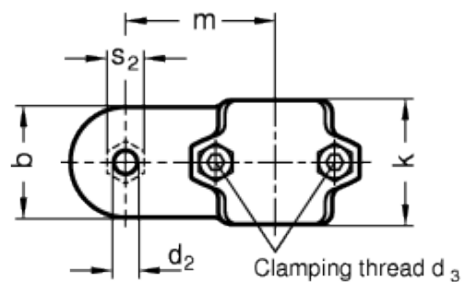


GN 279

Swivel clamp connector



Type **OZ**
without centring step



technical informations

Material
Aluminium.

Finish

- Version SW: RAL 9005 black colour, matte finish, epoxy resin coating.
- Version BL: blank, matte shot-blasted.

Standard version available

Type OZ: with centring step.

Clamping screws

Identification no. 2: with AISI 304 stainless steel-clamping screws DIN 912.

Socket cap screw DIN 912

AISI 304 stainless steel.

Hexagon nut DIN 985

AISI 304 stainless steel.

Adjustable clamping levers GN 911

- Zinc die cast.
- Insert / Distance bushing AISI 305 stainless steel.

Features and applications

The clamping bore of the swivel clamp connectors GN 279 is unmachined and designed for construction tubings GN 990 or DIN 2391, DIN 2395 and DIN 2462 respectively.

The standard clamping screws are socket cap screws DIN 912. They can be used in place of adjustable clamping levers GN 911 (see table of dimensions).

Two swivel clamp connectors GN 279 can be combined to swivel clamp connector joints GN 289.

Swivel clamp connectors GN 279 can be assembled with swivel clamp connectors GN 272, GN 274 or GN 276 to create swivel clamp connector joints.

Accessories

- Tubings [GN 990](#).
- Swivel clamp connector joints GN 289.

Standard Elements	Main dimensions												Clamping lever	Weight
Description	d ₁	s ₁	b	d ₂	d ₃	d ₄	k	l ₁	l ₂	m	s ₂	t	for d ₃	g
GN 279-B40-OZ-2-SW	B40	-	65	10.5	M10	M10	76	166.5	70	85	17	35	GN 911-M10-63	881
GN 279-B40-OZ-2-BL	B40	-	65	10.5	M10	M10	76	166.5	70	85	17	35	GN 911-M10-63	876
GN 279-B42-OZ-2-SW	B42	-	65	10.5	M10	M10	76	166.5	70	85	17	35	GN 911-M10-63	859
GN 279-B42-OZ-2-BL	B42	-	65	10.5	M10	M10	76	166.5	70	85	17	35	GN 911-M10-63	852
GN 279-B45-OZ-2-SW	B45	-	65	10.5	M10	M10	76	166.5	70	85	17	35	GN 911-M10-63	846
GN 279-B45-OZ-2-BL	B45	-	65	10.5	M10	M10	76	166.5	70	85	17	35	GN 911-M10-63	837
GN 279-B48-OZ-2-SW	B48	-	65	10.5	M10	M10	76	166.5	70	85	17	35	GN 911-M10-63	828
GN 279-B48-OZ-2-BL	B48	-	65	10.5	M10	M10	76	166.5	70	85	17	35	GN 911-M10-63	790
GN 279-B50-OZ-2-SW	B50	-	65	10.5	M10	M10	76	166.5	70	85	17	35	GN 911-M10-63	820
GN 279-B50-OZ-2-BL	B50	-	65	10.5	M10	M10	76	166.5	70	85	17	35	GN 911-M10-63	749
GN 279-V40-OZ-2-SW	-	V40	65	10.5	M10	M10	76	166.5	70	85	17	35	GN 911-M10-63	845
GN 279-V40-OZ-2-BL	-	V40	65	10.5	M10	M10	76	166.5	70	85	17	35	GN 911-M10-63	860
GN 279-V45-OZ-2-SW	-	V45	65	10.5	M10	M10	76	166.5	70	85	17	35	GN 911-M10-63	802
GN 279-V45-OZ-2-BL	-	V45	65	10.5	M10	M10	76	166.5	70	85	17	35	GN 911-M10-63	796
GN 279-V50-OZ-2-SW	-	V50	65	10.5	M10	M10	76	166.5	70	85	17	35	GN 911-M10-63	767
GN 279-V50-OZ-2-BL	-	V50	65	10.5	M10	M10	76	166.5	70	85	17	35	GN 911-M10-63	756

